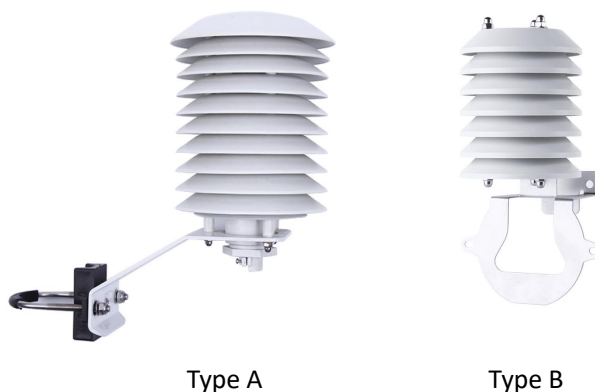


The Multi-Plate Radiation Shield protects temperature, relative humidity or barometric pressure sensors from error-producing solar radiation and precipitation. This shield relies on a combination of plate geometry, material and natural ventilation to provide effective shielding. The radiation shield reflect sunlight from any direction, prevent sun direct radiation and reflection on the ground to the sensor radiation, to protect the instrument from the effects of strong winds, rain, snow, etc. Freely through the air, making instrument work in ventilated environment, to ensure the accuracy of measured data. Products with high reflectivity and low thermal conductivity, resistance to ultraviolet ray function, can be used in extreme weather conditions.

INSTALLATION TIPS

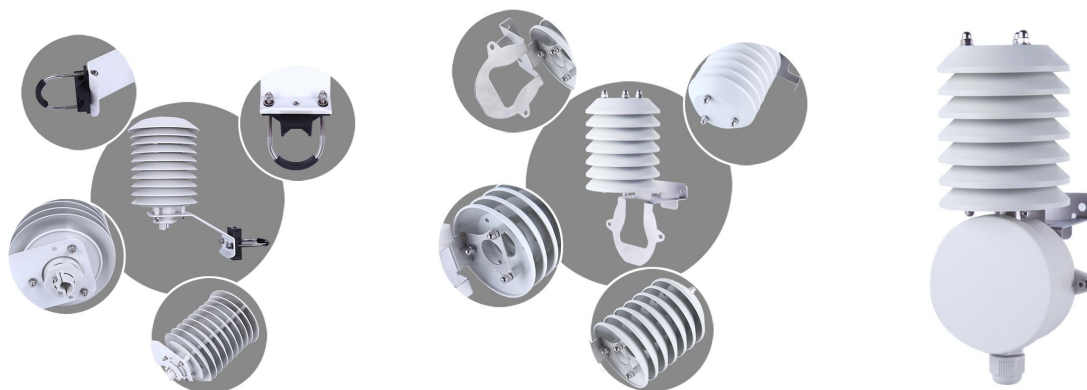
- Good air circulation around shield
- Away from large masses (asphalt, masts, solar panels) especially metal items
- Away from exhaust vents, electrical machinery and motors
- Away from standing water, water fountains and sprinklers

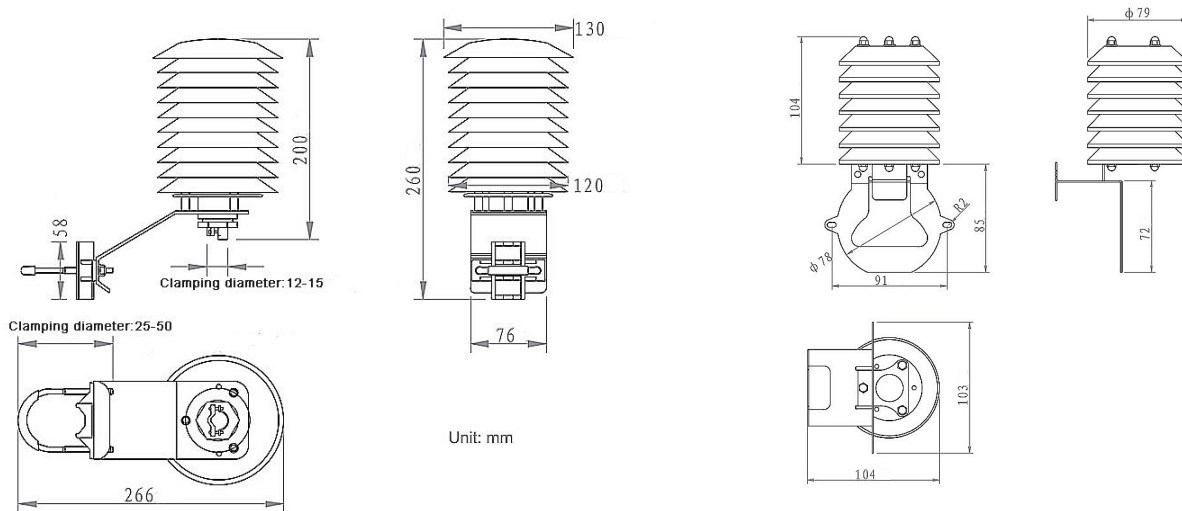


SPECIFICATIONS

Item		Specifications	
		A	B
Number of plates		10	7
Color		Pure white	
Dimensions (mm)	Inner diameter	30	22
	Outer diameter	130	79
	Internal height	135	80
Material		Special engineering plastics against radiation & Stainless steel screw	
Install accessories(attached)		Stainless steel bracket	
Operating temperature		-40°C-+75°C	

DIMENSION





CE Complies with applicable CE directives.

Specifications subject to change without notice. Version 3.0

Copyright © 2015 Hunan Rika Electronic Technology Co.,Ltd

Hunan Rika Electronic Technology Co., Ltd

Add: No 499# of Yingxin Road,
Yuhua District, Changsha,
Hunan, China

- +86-731-85132979
- info@rikasensor.com
- www.rikasensor.com.cn