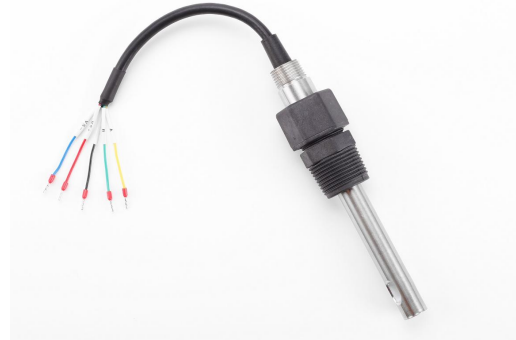


FEATURES

- On-line & real-time measurement
- titanium alloy electrode & teflon lining
- High accuracy
- Electromagnetic isolation
- Strong resistance to corrosion
- Polarization Resistance
- High temperature resistance
- Integral design without external transmitter



APPLICATIONS

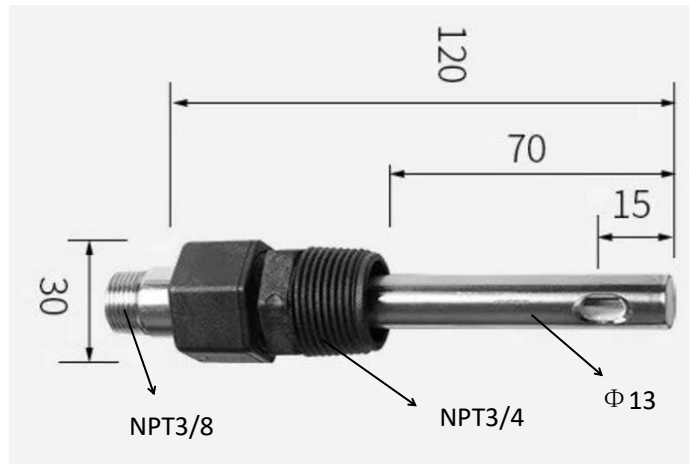
- Environmental protection
- Aquaculture
- Water source monitoring
- Environmental monitoring
- Sewage treatment
- Oil and gas pipeline corrosion monitoring

TECHNICAL SPECIFICATION

Item	Technical Specification	
	EC	Salinity
Measuring medium	Liquid	
Principle	Frequency conversion method	
Range	0~500us/cm, 0~5000us/cm, 0~10000us/cm, 0~200000us/cm(any range of 0-300ms/cm can be customized, 1ms/cm = 1000us/cm)	0~100000ppm(mg/L) 1ppm(mg/L)=1000ppb(ug/L)=1000000 ppt(ng/L)
Supply	7-30VDC(power consumption<0.2W)	
Accuracy	±1%	
Response time	1s	
Output Signal	4-20mA & RS485 at the same time	
Electrode	Titanium alloy	
Temperature compensation		Automatic compensation
Drift	≤0.3%FS/24h	
Operating Temperature	-20℃-+80℃	
Probe material	316L or ABS(Strongly corrosive liquids)	
Ingress Protection	IP68	
Storage	10-60℃@20%-90%RH	
Cable length	Default:5m	

DIMENSION

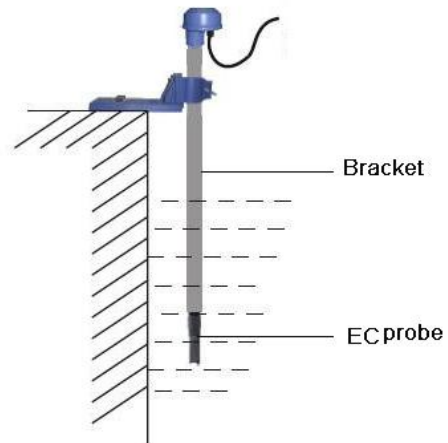
Unit: mm



INSTALLATION & USAGE

- Directly into the liquid
- Adopt submersible mounting bracket(show in the below figure)

Mounting bracket(length=1m):




In liquid, probe submersible installation.

PARAMETER SELECTION TABLE

Remark	Series	Type	Parameter	Supply	Output	Accessory	Cable Length	
RK								
	500							
		13						
			E					EC
			S					Salinity
				A				7-30V
				X				Other
					A			4-20mA
					B			RS485
					X			Other
						A		With mounting bracket
						N		Without any accessory
							5000	Unit(mm)
							...	Unit(mm)

Example: RK500-13EAAAN5000 EC sensor, Supply:7-30V, Output:4-20mA, Without any accessory, Cable length:5m.


 Complies with applicable CE directives.

Specifications subject to change without notice. Version 3.0

Copyright © 2015 Hunan Rika Electronic Technology Co.,Ltd

Hunan Rika Electronic Technology Co., Ltd

Add:No 499# of Yingxin Road,
Yuhua District,Changsha,
Hunan,China

 +86-731-85132979

 info@rikasensor.com

 www.rikasensor.com.cn