

The RKL-07 radar flowmeter can continuously measure the water flow of rivers and open channels, combined with the radar flow meter and the radar water level gauge, the surface velocity and water level are measured in a non-contact manner. For regular channel sections, use conventional mathematical formulas to calculate flow results. For irregular river sections, the flow rate results are obtained by using the point method and calculus calculation. Non-contact measurement method is not affected by sediments, water weeds and other debris, reducing maintenance costs and increasing reliability.

FEATURES

- The two-in-one product performs flow calculation directly
- Simple construction and installation, low power consumption, economical and applicable
- High IP68 protection level, maintenance free
- Does not destroy the water flow state, guarantees the measurement data accurate
- 7X24 online automatic monitoring, unattended



APPLICATIONS

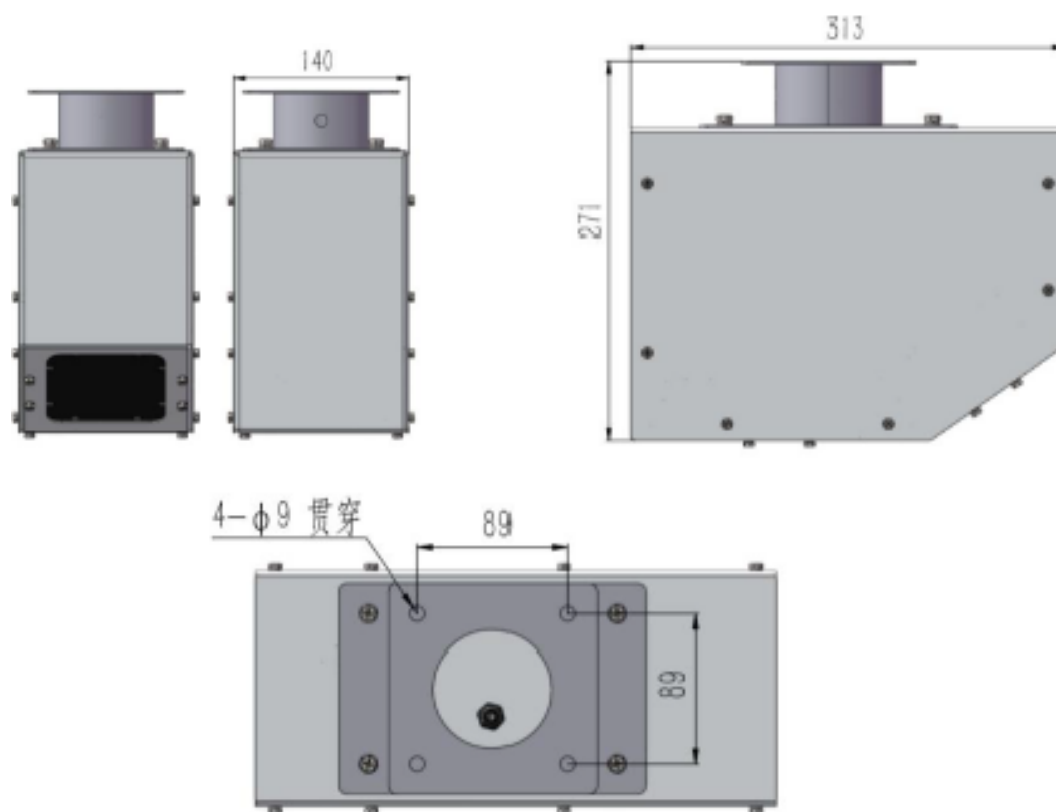
- River water level measurement
- Lake water level measurement
- Shallow water level measurement
- Hydrographic survey
- Irrigation open channel water flow monitoring system

SPECIFICATIONS

Item	Technical specifications	
	Speed	Distance
frequency	24GHz	24-26GHz
range	0.1 ~ 20 m/s (It has to do with the flow)	0-45m
Accuracy	±0.01m/s ; ±1%FS	±2mm
Resolution	0.01m/s	1mm
beam Angle	12 °	10 °
Pitch Angle	30 ~ 70 ° (Recommendation 55 ~ 60°; Roll Angle < ±2° is recommended)	
Intelligent perception and compensation of attitude Angle	Accuracy±0.5°; Resolution±0.1°	
Supply	DC6 ~ 30V (suggested use 12 v)	
Power consumption	Working current :80mA@12V; Standby current :55mA@12V	
Output	RS485(MODBUS-RTU)	
Working temperature	- 40 °C ~ + 80 °C	
Protection grade	IP68	
Product size	313x137x271mm	
weight	4.3 Kg	
Cable length	10 m(default), customizable	

DIMENSION

Unit:mm



CE Complies with applicable CE directives.

Specifications subject to change without notice. Version 3.0

Copyright © 2015 Hunan Rika Electronic Tech Co.,Ltd

Hunan Rika Electronic Tech Co., Ltd

Add: Building B5, Taskin, Yuhua District,
Changsha City, Hunan Province,
China

+86-731-85132979

info@rikasensor.com

www.rikasensor.com